

brand	MC CULLOCH - PARTNER
-------	----------------------

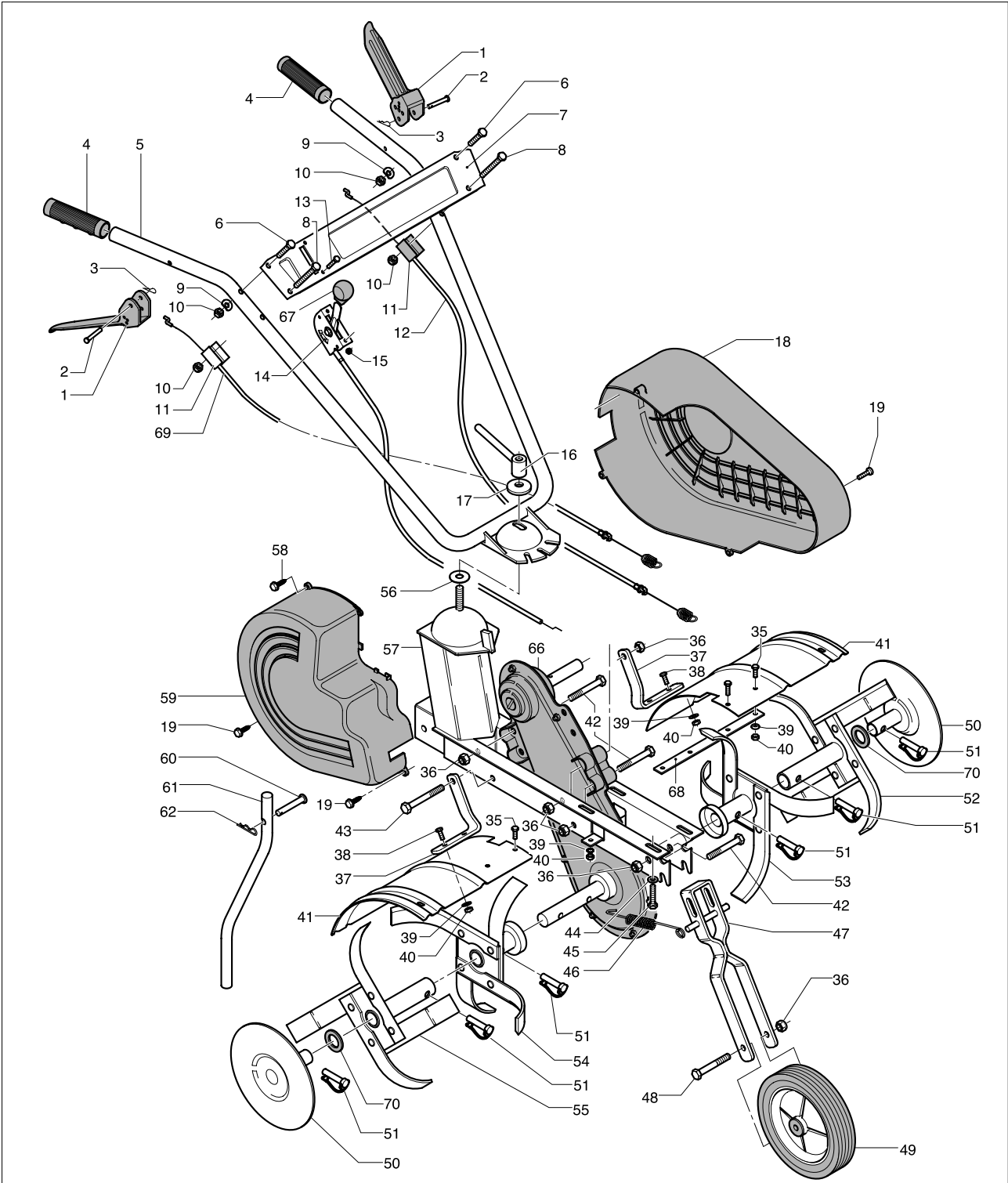
date	JAN/02	SHEET 1/5
------	--------	-----------

Model

MPT 55R
FT5054RB

Product number

9538783-18
9538781-12



brand	MC CULLOCH - PARTNER
-------	-----------------------------

date	JAN/02	SHEET 2/5
------	--------	-----------

MPT 55R - FT5054RB

Pos	PN ELX	PN MEP	Q.ty	Note	Pos	PN ELX	PN MEP	Q.ty	Note
1	531205422	10128683	2		50	531207476	10660003	2	
2	531207409	10651400	2		51	531208634	20500910	6	
3	531207408	10651300	2	1.1x17	52	531207464	10658603	1	
4	531207131	10500033	2		53	531207507	10673403	1	
5	531207572	10685001	1		54	531207506	10673303	1	
6	531207441	10655200	2	TE M6x40 UNI 5737-8,8-ZB	55	531207463	10658503	1	
7	531207518	10679703	1		57	531207559	10683901	1	
8	531205011	10118600	2	TE M6x50 UNI 5737-8.8 ZN	58	531208216	20135720	1	TCTC 2F D.5x16 AC
9	531204961	10115900	2	6,5E	59	531207529	10681903	1	SX
10	531208491	20281800	4	M6 H8 UNI7473-ZB	60	531207406	10651100	1	
11	531208043	20121983	2		61	531207550	10683700	1	
12	531207566	10684600	1	TECNAMOTOR HONDA	62	531208657	20501290	1	D.2
13	531207270	10547300	2	TE M5x12 UNI 5739-8,8-ZB	66	531207516	10679303	1	Z.8/Z.40
14	531207582	10685800	1	TECNAMOTOR	67	531206970	10303403	1	
14	531207109	10425200	1	HONDA	68	531207600	10687803	1	
15	531208661	20501380	2	M5 H5 UNI5587-6S ZB	69	531207565	10684500	1	
16	531207508	10673700	1		70	531211004	10690423	2	D38X24,5X10
17	531207509	10674100	1						
18	531207523	10681103	1						
19	531207120	10427400	4	TE FR TC 4,8x13					
35	531208660	20501370	4	TE M6x20 UNI 5739-8,8-ZB					
36	531207161	10501160	5	M10 H12 UNI7473-ZB					
37	531207420	10652303	2						
38	531208769	20655100	2	TE M6x16 UNI 5739-8,8-ZB					
39	531208499	20286606	6	D.6E					
40	531207165	10501200	6	M6 H6 UNI 5587-6S-ZB					
41	531207536	10682001	2						
42	531207416	10652000	3	TE M10x75 UNI5737-8,8-ZB					
43	531207511	10677400	1	TE M10x85 UNI5737-8,8-ZB					
44	531204922	10114200	8	8x16x1,5 ZB					
45	531207044	10390800	4	TE M8x40 UNI 5737-8,8-ZB					
46	531207562	10684100	1						
47	531207545	10682903	1						
48	531207576	10685200	1	TE M10X80 UNI5737-8.8ZB					
49	531207583	10685903	1	D.200/40					

brand	PARTNER
-------	----------------

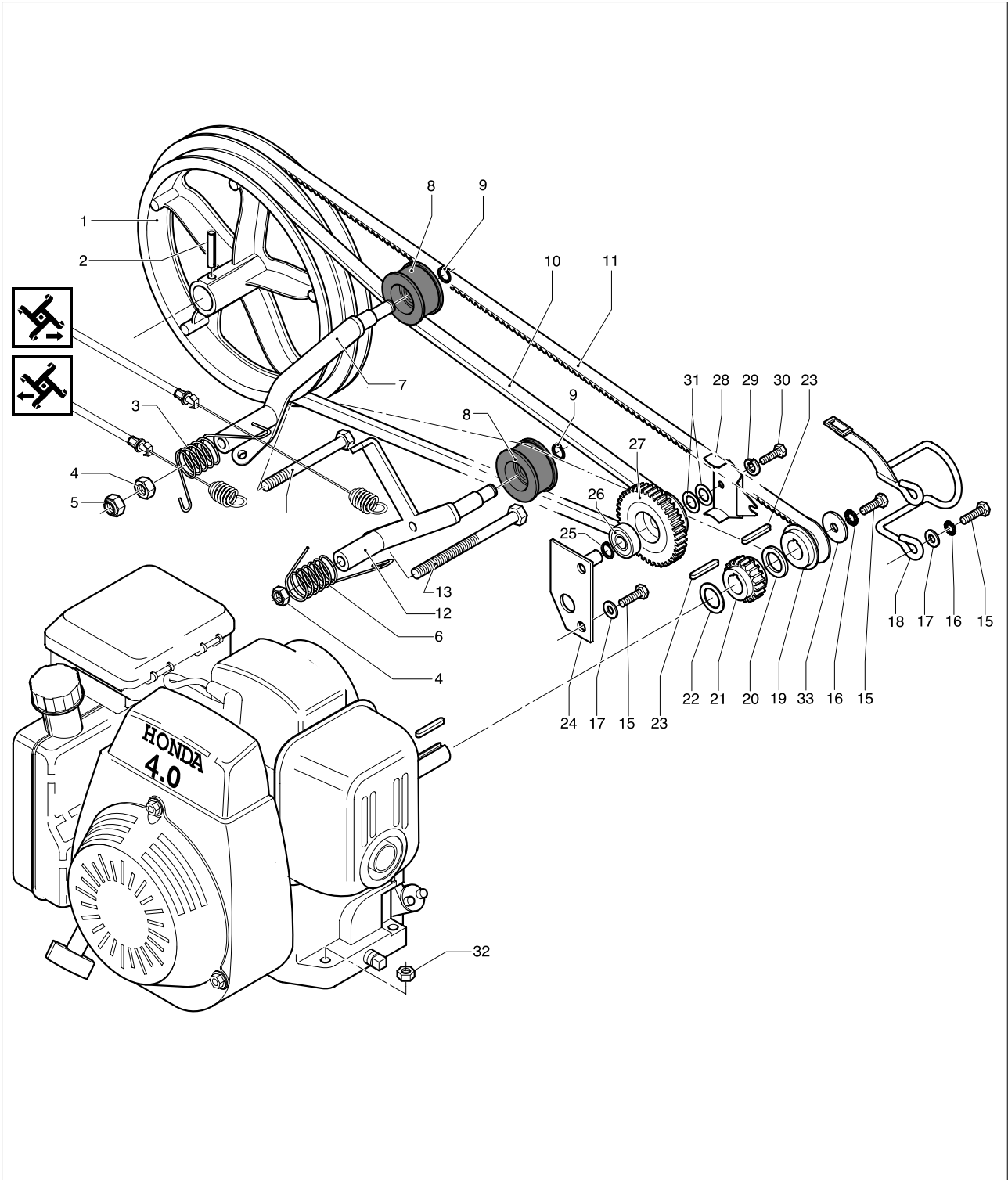
date	JAN/02	SHEET 3/6
------	--------	-----------

Model

FT5054RB

Product number

9538781-12



brand	PARTNER
-------	----------------

date	JAN/02	SHEET 4/6
------	--------	-----------

FT5054RB

Pos	PN ELX	PN MEP	Q.ty	Note
1	531207488	10670100	1	D.272
2	531208404	20228214	1	D.6x40
3	531207564	10684300	1	
4	531207978	20101700	2	M10 H8 UNI 5588-6S ZB
5	531207161	10501160	2	M10 H12 UNI7473-ZB
6	531207563	10684200	1	
7	531207524	10681200	1	
8	531204430	09128633	2	
9	531208772	20655800	2	D.12E DIN 471
10	531207431	10654400	1	AX 45 (13x8.5) 1143 K
11	531207510	10674600	1	Z40
12	531207522	10680700	1	
13	531207426	10653700	1	M10x130x88 SPEC
14	531205005	10118000	1	TE M10x100 UNI5737-8.8ZN
15	531207430	10654300	5	TE 5/16"UNF x 5/8"(=16mm)
16	531207981	20106200	3	D.8E DIN 6798
17	531204922	10114200	4	8x16x1,5 ZB
18	531207578	10685400	1	
19	531207503	10671900	1	D.45
20	531207594	10687000	1	D.19,5/30/4
21	531207586	10686100	1	Z19
22	531206725	10300160	1	ITT 20,2x30x1
23	531207432	10654500	2	4,75x4,75x23 UNI 92
24	531207585	10686000	1	
25	531207524	10681200	1	
26	531208765	20654000	2	6201/2RS
27	531207587	10686200	1	
28	531207589	10686400	1	
29	531207595	10687100	1	D.6
30	531208612	20480900	1	TE M6x12 UNI 5739-8,8-ZB
31	531207588	10686300	2	D.12.5/21/0.5
32	531208599	20404900	4	M8
33	531205552	10135380	1	

brand	MC CULLOCH
-------	------------

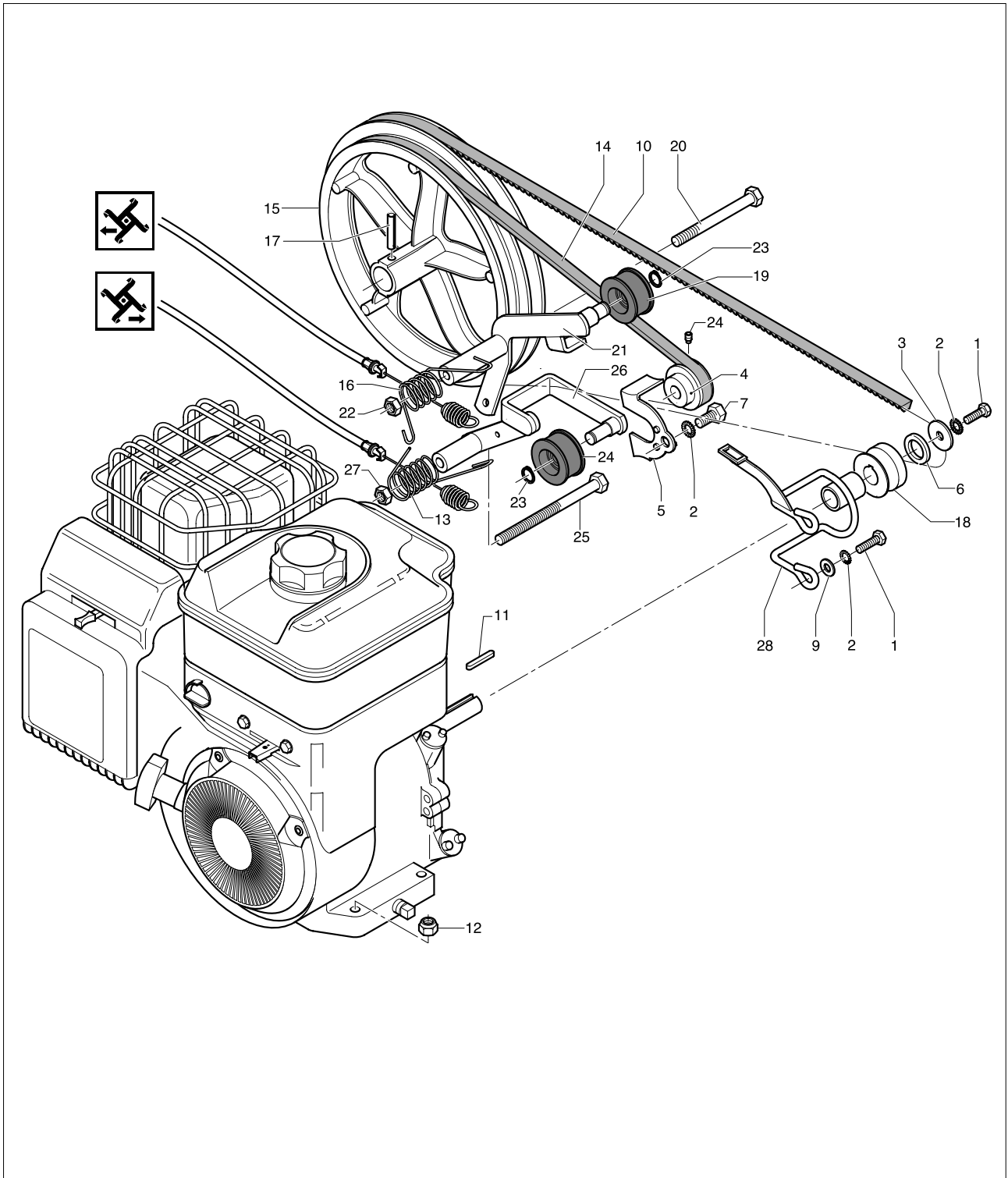
date	JAN/02	SHEET 5/6
------	--------	-----------

Model

MPT 55R

Product number

9538783-18



brand	MC CULLOCH
-------	-------------------

date	JAN/02	SHEET 6/6
------	--------	-----------

MPT 55R

Pos	PN ELX	PN MEP	Q.ty	Note
1	531207596	10687300	3	TE 5/16" UNF X 3/4"
2	531207981	20106200	4	D.8E DIN 6798
3	531205552	10135380	1	8x30x3ZP
4	531207594	10687000	1	D.19,5/30/4
5	531207602	10688000	1	
6	531207503	10671900	1	D.45
7	531207430	10654300	1	TE 5/16"UNF x 5/8'(=16mm)
8	531207597	10687400	1	M5x8 UNI59
9	531204922	10114200	2	8x16x1,5 ZB
10	531207616	10689500	1	Z 39 (10x1000LI)
11	531207432	10654500	1	4,75x4,75x23 UNI 92
12	531208599	20404900	1	M8 H10 UNI7473-ZB
13	531207563	10684200	1	
14	531207431	10654400	1	AX 45 (13x8.5) 1143 K
15	531207488	10670100	1	D.272
16	531207564	10684300	1	
17	531208404	20228214	1	D.6x40
18	531207617	10689600	1	D.19/25/31H MM
19	531204430	O9128633	2	
20	531205005	10118000	1	TE M10x100 UNI5737-8.8ZN
21	531207611	10688500	1	
22	531207978	20101700	1	M10 H8 UNI 5588-6S ZB
23	531208772	20655800	2	D.12E DIN 471
25	531207426	10653700	1	M10x130x88 SPEC
26	531207612	10688600	1	
27	531208658	20501310	2	M10 H10 UNI 5587-6S-ZB
28	531207578	10685400	1	